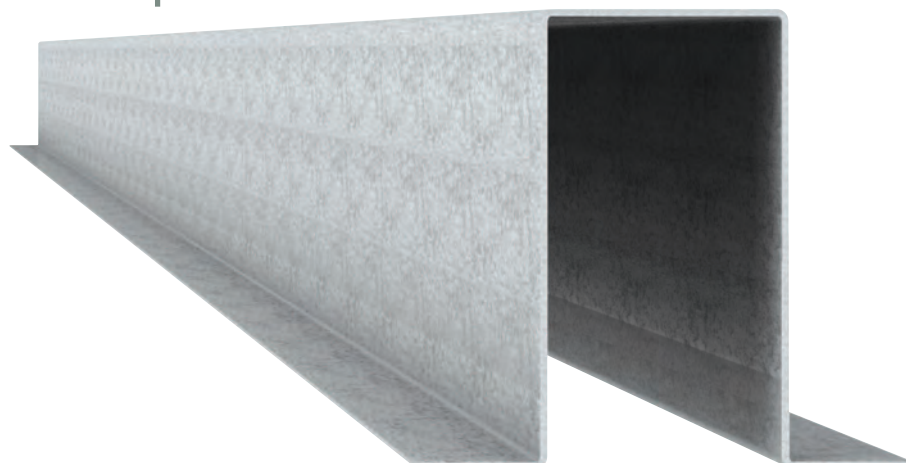
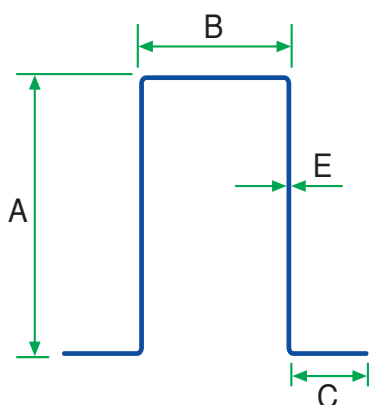


Omega Structural profiles

Structural profiles



PROFILE



A	B	C	E
20	20	15	0.6 / 0.8
30	30	18	0.8 / 1 / 1.2 / 1.5
40	30	20	0.8 / 1 / 1.2 / 1.5
50	40	20	0.8 / 1 / 1.2 / 1.5

TECHNICAL FEATURES

MAGÓN manufactures various types of Omegas. They are supplied in standard lengths of 5,000 mm, or in different measurements on request, providing transport is practicable.

FINISHES

- Galvanised steel.
- Cold Rolled.
- Aluminium.

APPLICATIONS

As a secondary structure between the two layers of a sandwich roof, for attaching the substructure when restoring fibrocement roofs and as a support structure for roofing tiles in housing.

